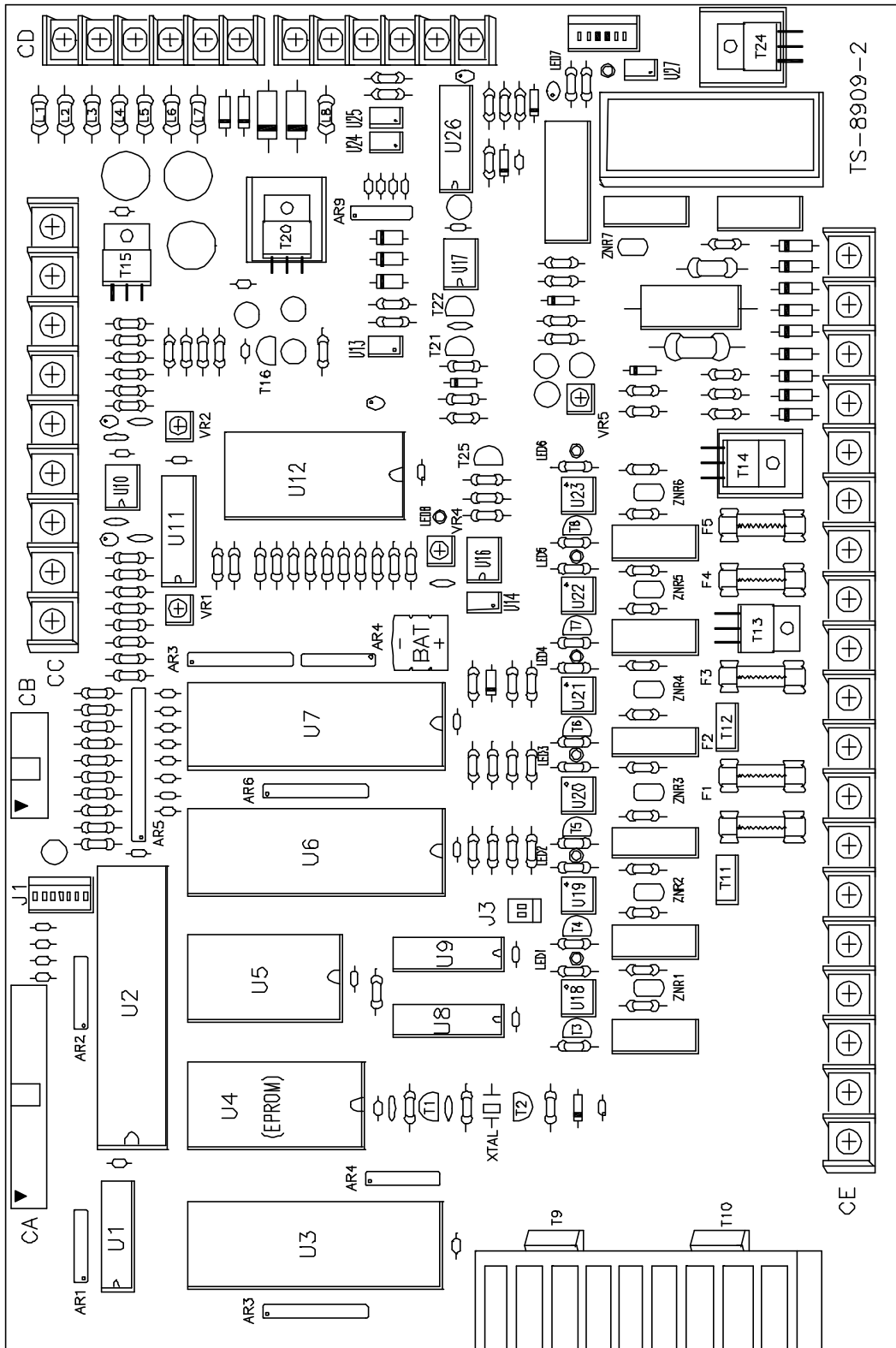


Motherboard Layout

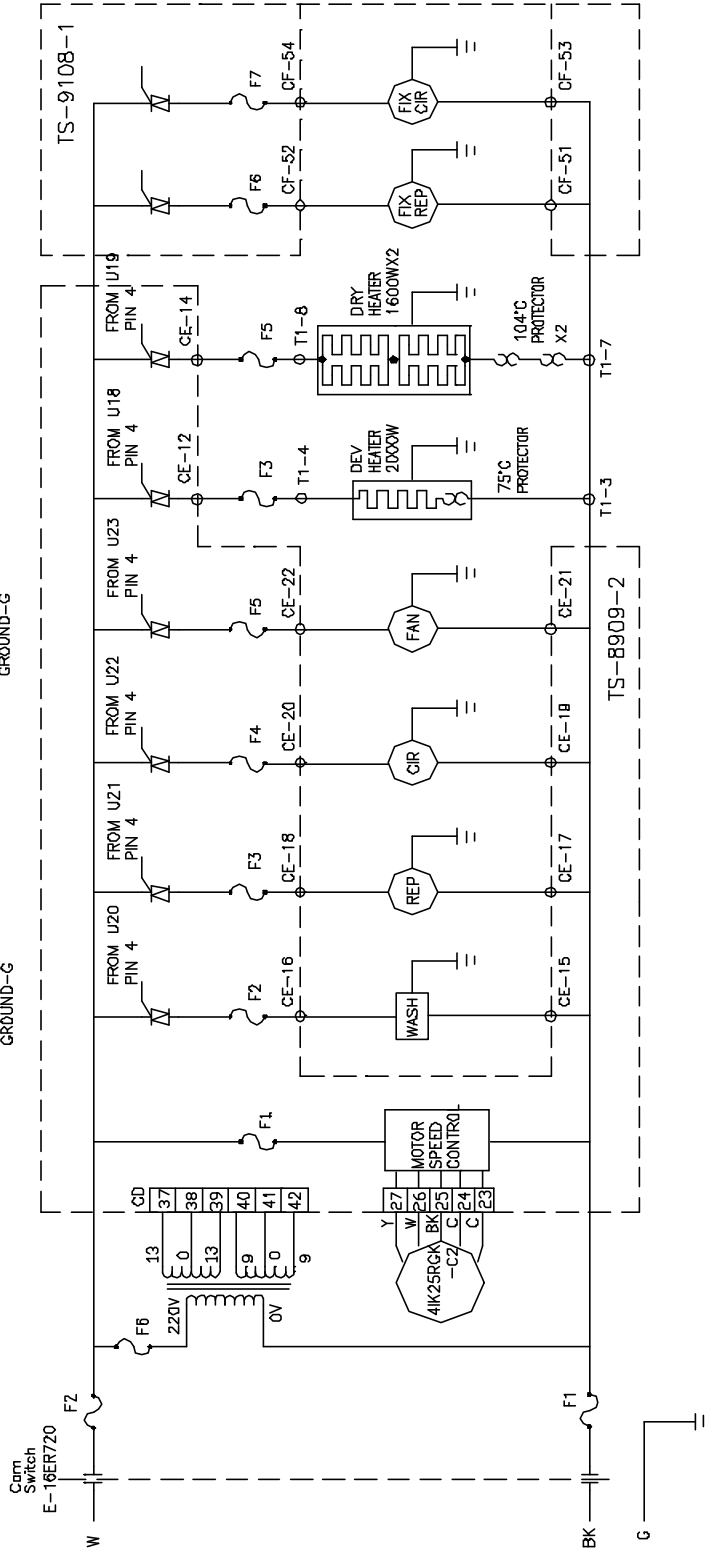


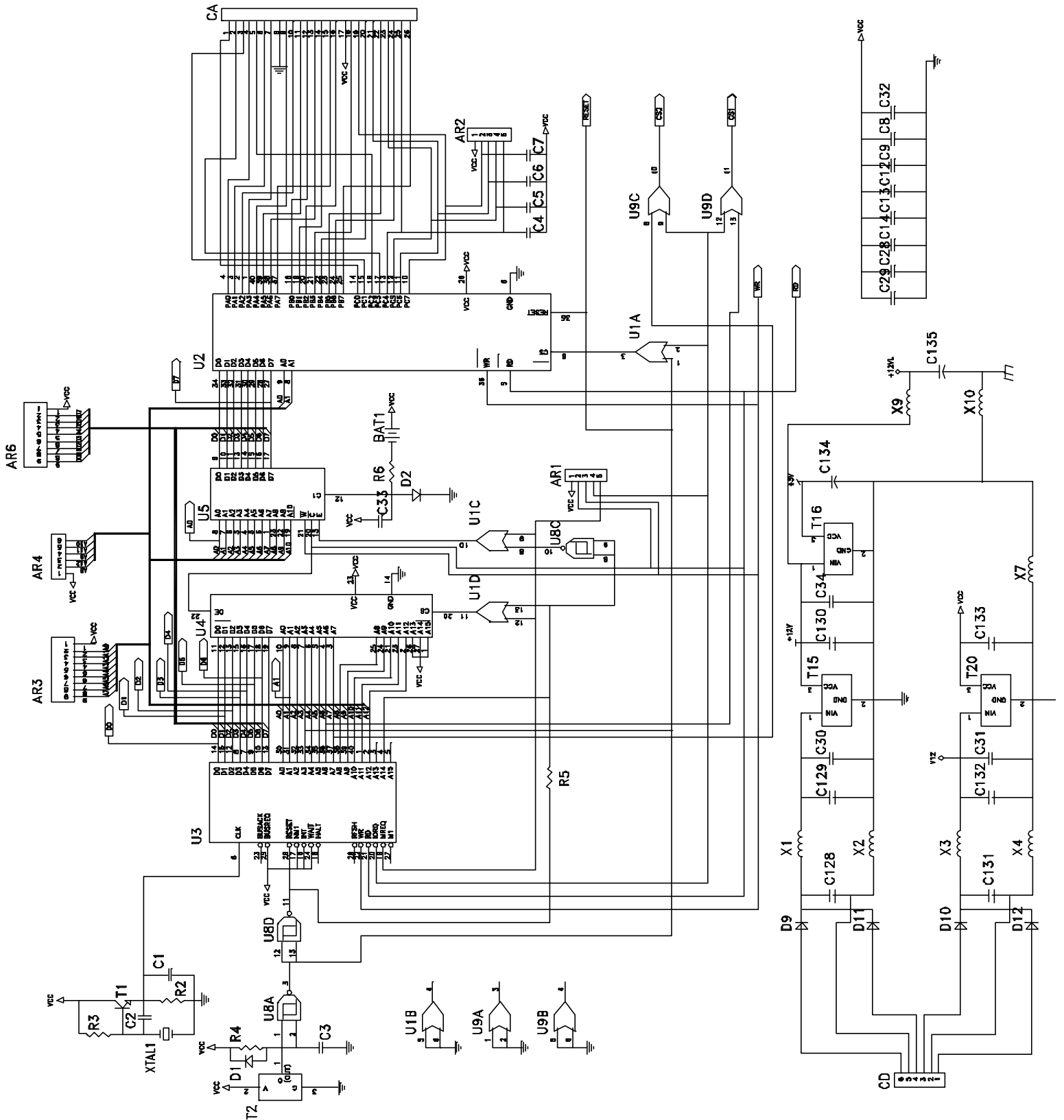
Motherboard Layout , TS-8909-2
LogE Part # LTS-E10-P015-2

AC Power Schematic

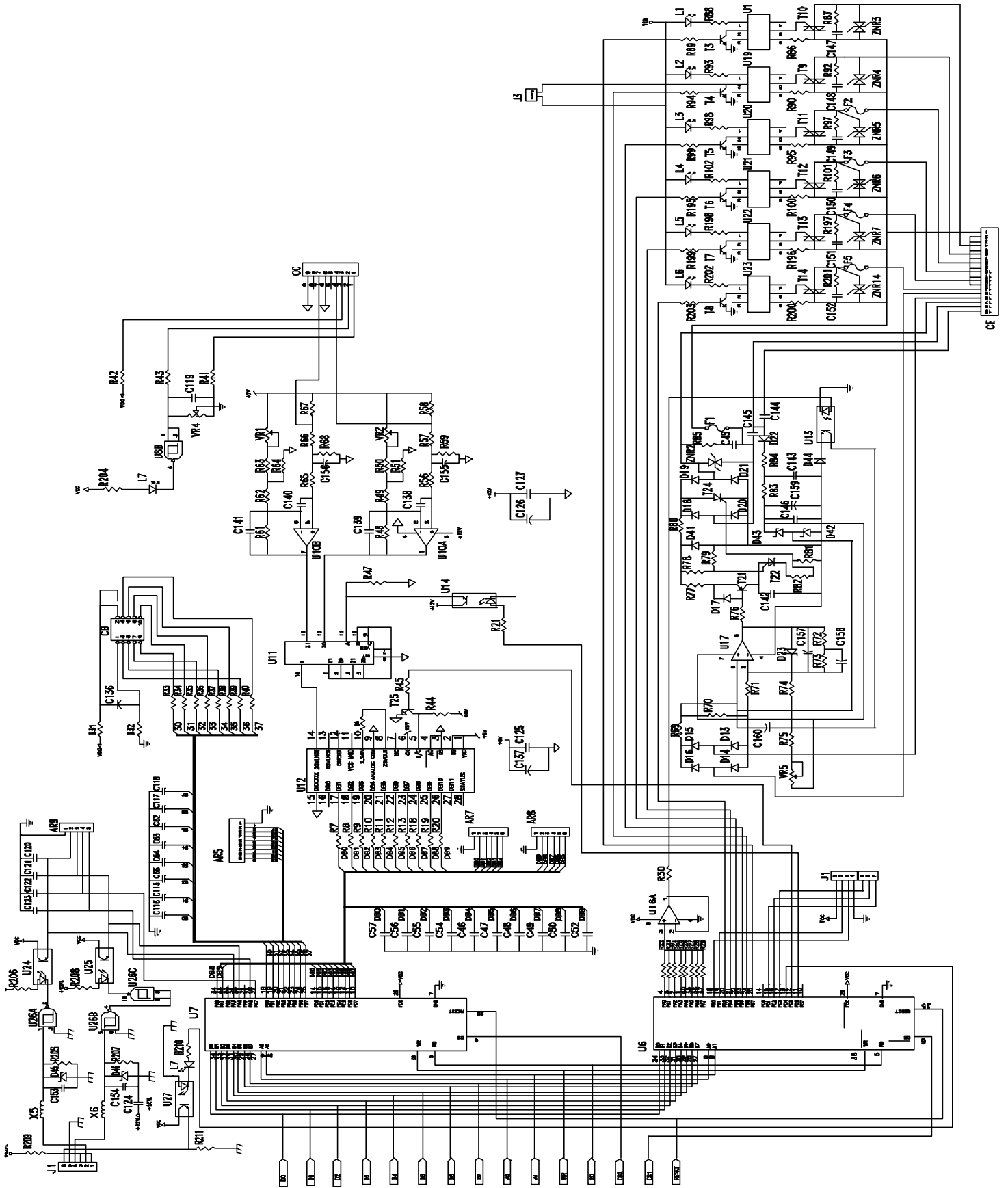
INCOMING POWER HOOK-UP

<p>AMERICA: 205-240V 2 WIRE 1φ L1-W L2-BK GROUND-G</p>	<p>AMERICA: 205-240V 3 WIRE 3φ L1-W L2-BK GROUND-G L3-W L3-BK GROUND-G</p>	<p>EUROPE: 205-240V 2 WIRE 1φ L1-W N-BK GROUND-G</p>	<p>EUROPE: 220/380v 4 WIRE 3φ L1-W N-BK GROUND-G L2-W N-BK GROUND-G L3-W N-BK GROUND-G</p>
--	--	--	--





Schematic, Motherboard & Keypad 1 of 2
 LogE Part # LTS-E10-P015-2



Schematic, Motherboard & Keypad 2 of 2

