

# *Section 6*

## *Parts*

**Introduction**

This section contains information for use when ordering common repair or replacement parts for all rapid access processors, from LogETEK-22 and LogETEK-27.

Structural parts such as frame members, tanks and outside panels are not shown as they usually do not require replacement during the normal service life of the processor. If you should need such parts, please contact us, and we will assist you in identifying and obtaining the needed parts.

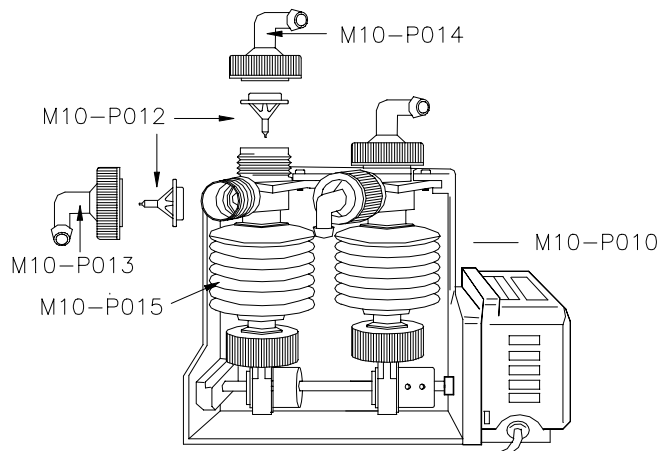
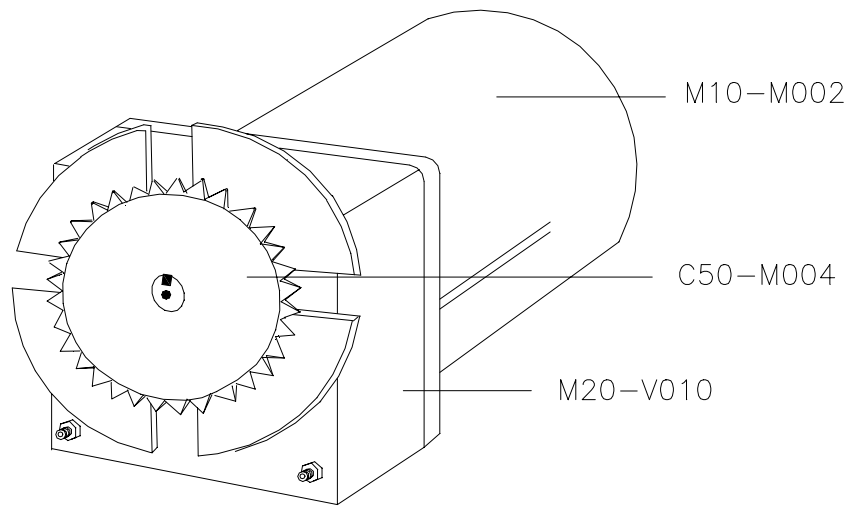
**Ordering Information**

When ordering parts for the processor give the *part number*, *description* and *quantity required*, and the *model* and *serial number* of the processor for which it is intended.

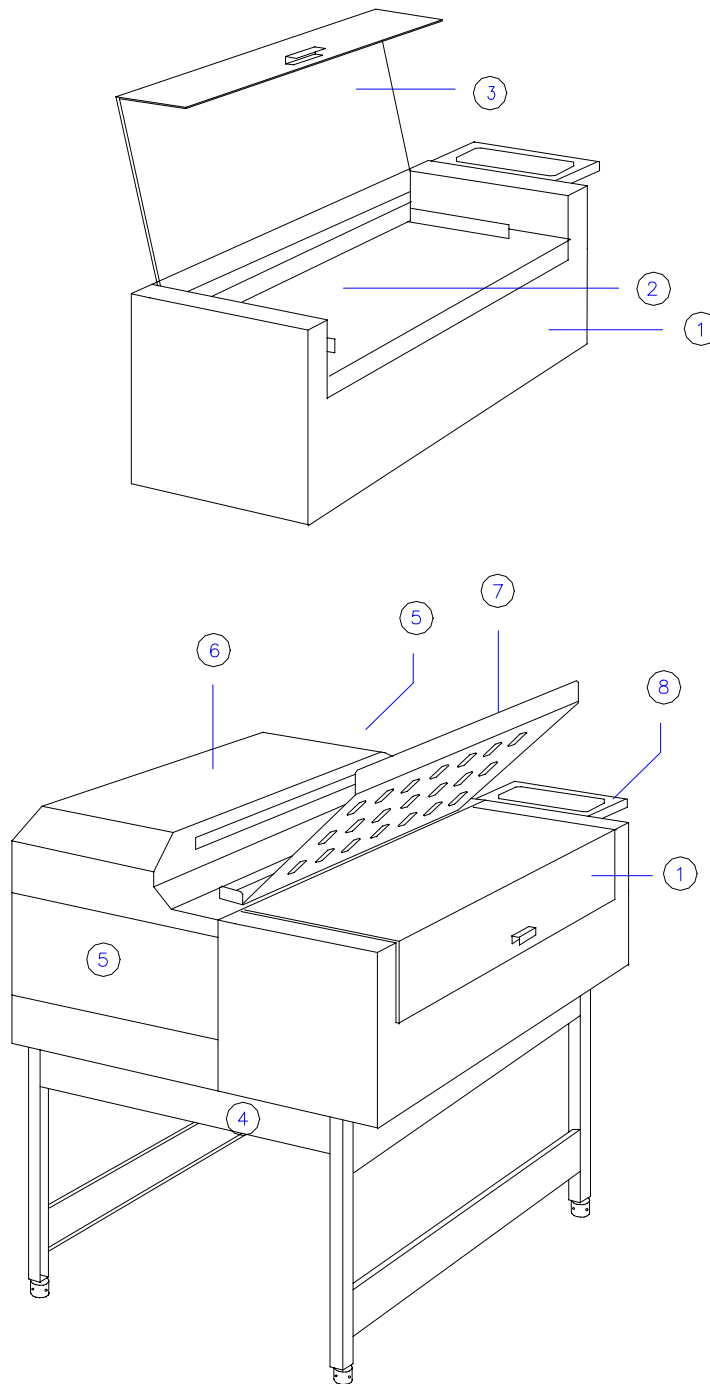
**Non-Illustrated Parts**

The following parts some are not shown in the illustration, but may be ordered using the indicated part numbers.

<b>Part Description</b>	<b>Part Number</b>
Main Electronics Board (TS-8909-1)	E10-P015
Control Panel w/Touchpad (TS-8904)	E10-P013
Daylight Cassette Entry Sensor Board (TS-9201)	E10-P024
Power Supply Transformer	D80-A001
EPROM Set (Firmware) U Type	E10-P026
Dryer Heater Protector 1048C	M10-A003
DEV Heater Protector 508C	M10-A002
Main Drive Motor	M10-M002
Gear Box (4GN-18L) (NEW)	M20-V010
Main Motor Sensor	E10-P017
Main Motor Chain (88T)	C80-C002
Dryer Fan	M10-M014
Circulation Pump (MD-10)	M10-P009
Replenisher Pump (Double Repl.)	M10-P010
Wash Water Solenoid	M40-W001
Temperature Sensor (Dev. or Dryer)	M50-T003
Cable 26P 240cm Control Panel To Mother	E10-C006
Cable 10P 220cm Motherboard To Feed Sensor	E10-C003



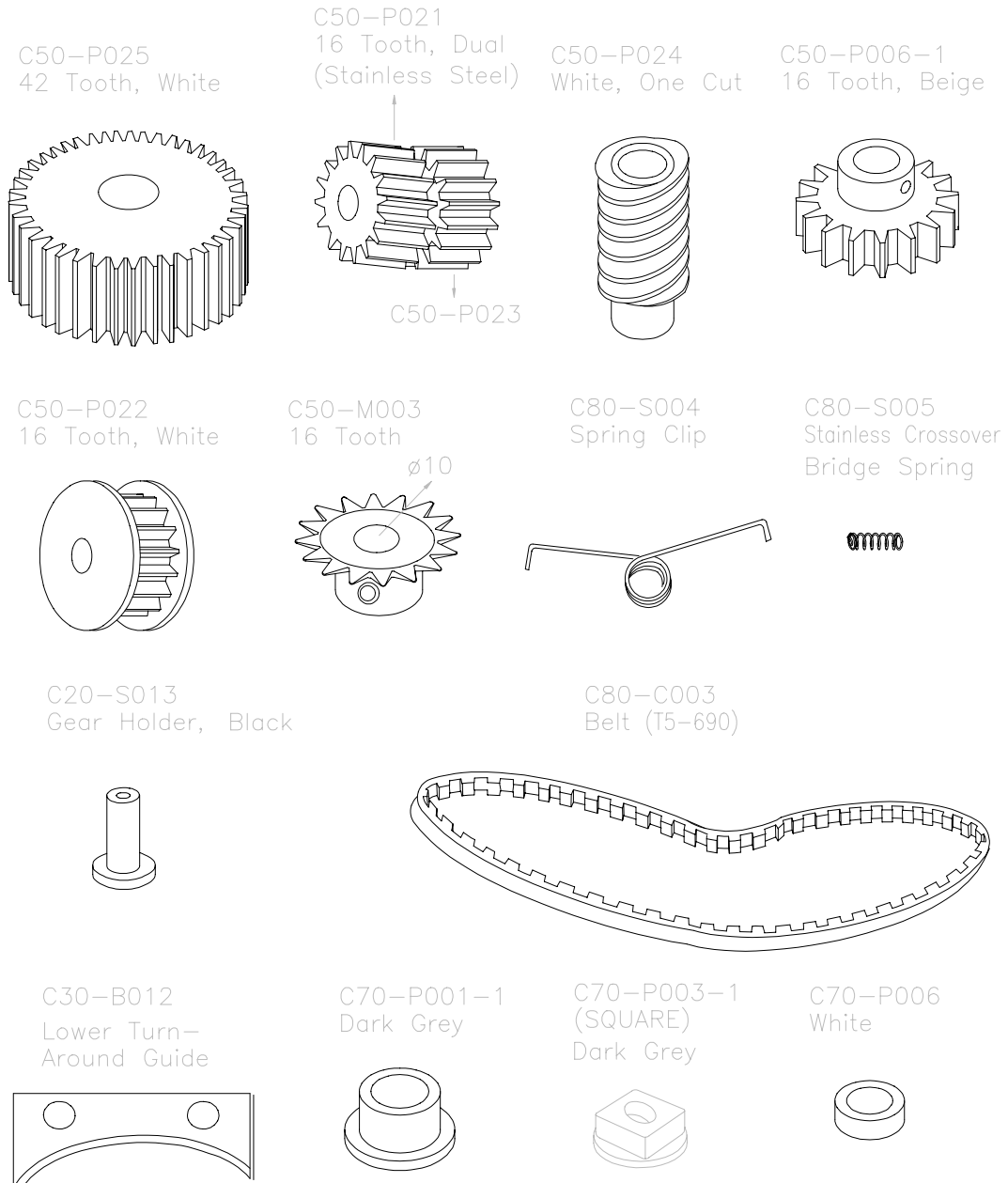
**Figure 6-1. Drive Motor Impulse Wheel & Rep. Pump**



**Figure 6-2. Cover & Panel Parts**

**Parts List (See Fig. 6-2)**

Model	LogETEK-22	LogETEK-27
1	AAF-A612	AAF-A721
2	ADT-A609	ADT-A709
3	ADT-A008	ADT-A008
4	ADT-A007	ADT-A007
5	AAF-A613	AAF-A713
6	AAF-A614	AAF-A714
7	AAF-B618	AAF-B718
8	AAF-B012	AAF-B012
9	AAF-B615	AAF-B715
10	AAF-A622	AAF-A722



**Figure 6-3. Gears, Bearings & Cross Over Parts**

Note Surface Material, Shaft End Configuration, Processor Width and Roller diameter before ordering rollers.

**Type 1** 1" (25.4mm) Diameter, Soft Surface



**Type 2** 1" (25.4mm) Diameter, Hard Surface



**Type 3** 1" (25.4mm) Diameter, Hard Surface



**Part List:**

Model: LogETEK-22

Type 1 C40-G601

Type 2 C40-P601

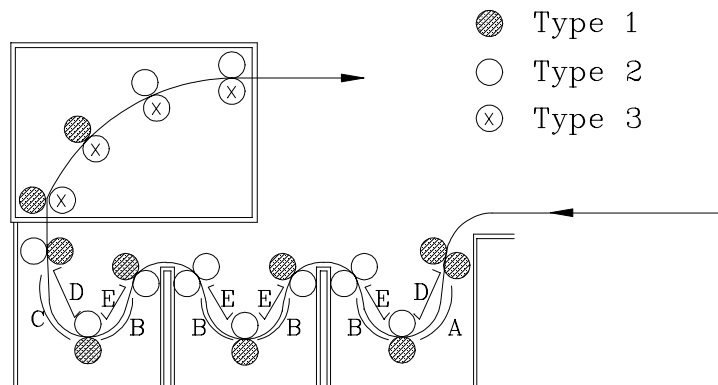
Type 3 C40-P602

LogETEK-27

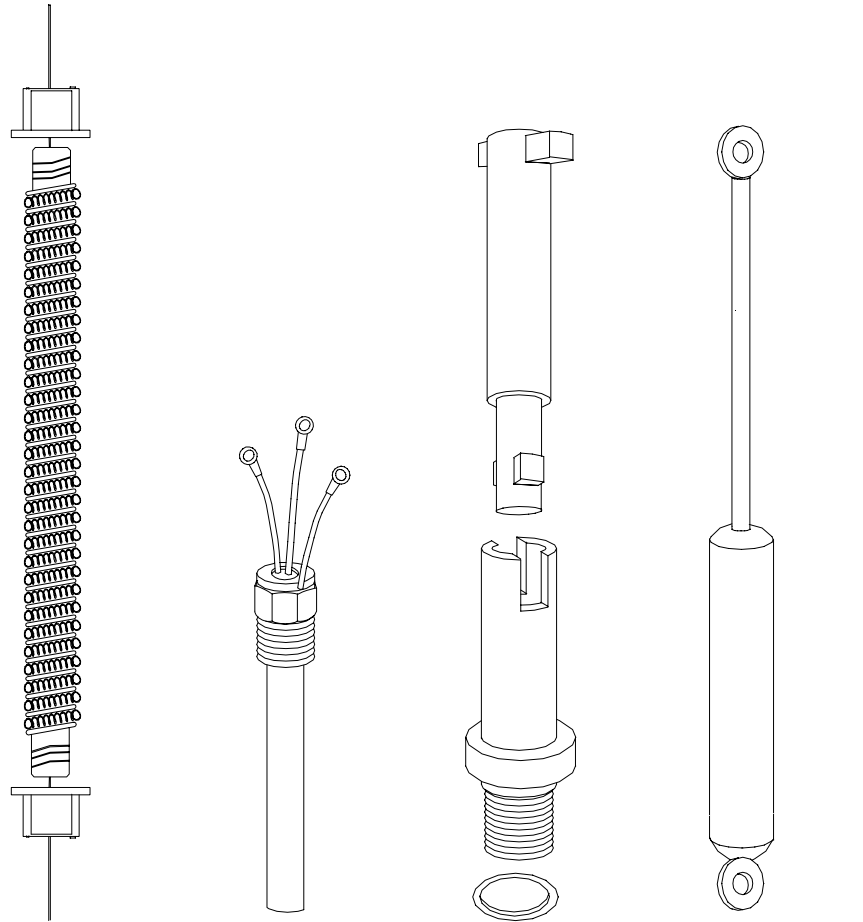
C40-G701

C40-P701

C40-P702



**Figure 6-4. Rollers**



**Dryer Heater**  
130 Volt, 1600 Watt  
M30-D003

**Solution Heater**  
240 Volt, 800 Watt  
M30-H003

**Standpipe Handle**  
A50-A013  
**Standpipe**  
A50-A031 (Red)  
A50-A032 (Blue)  
A50-A033 (Grey)  
**"O-Ring"**  
A50-A014

**Tension tube**  
ADT-A007 (C-100)  
ADT-A008 (C-200)  
ADT-A015 (C-300)

**Figure 6-5. Heaters & Standpipes**

**Table L Parts List For Figures 6-7 Through 6-12**

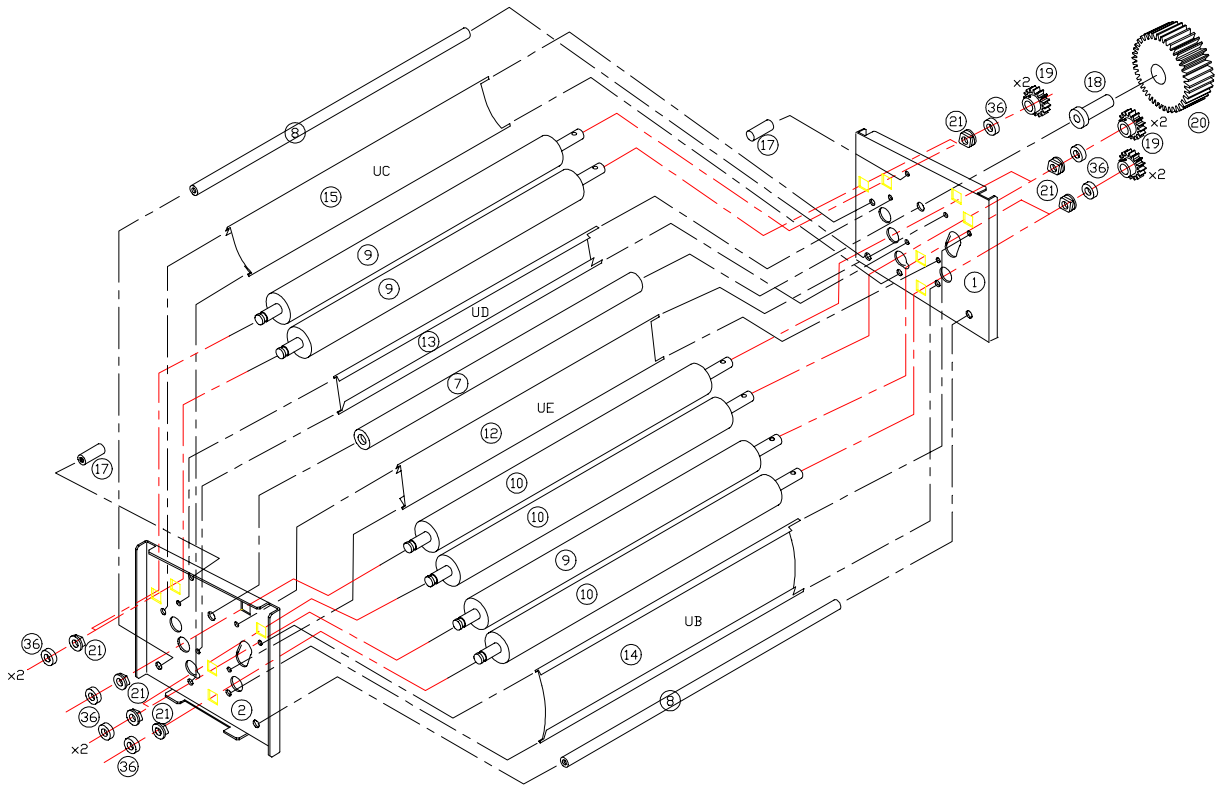
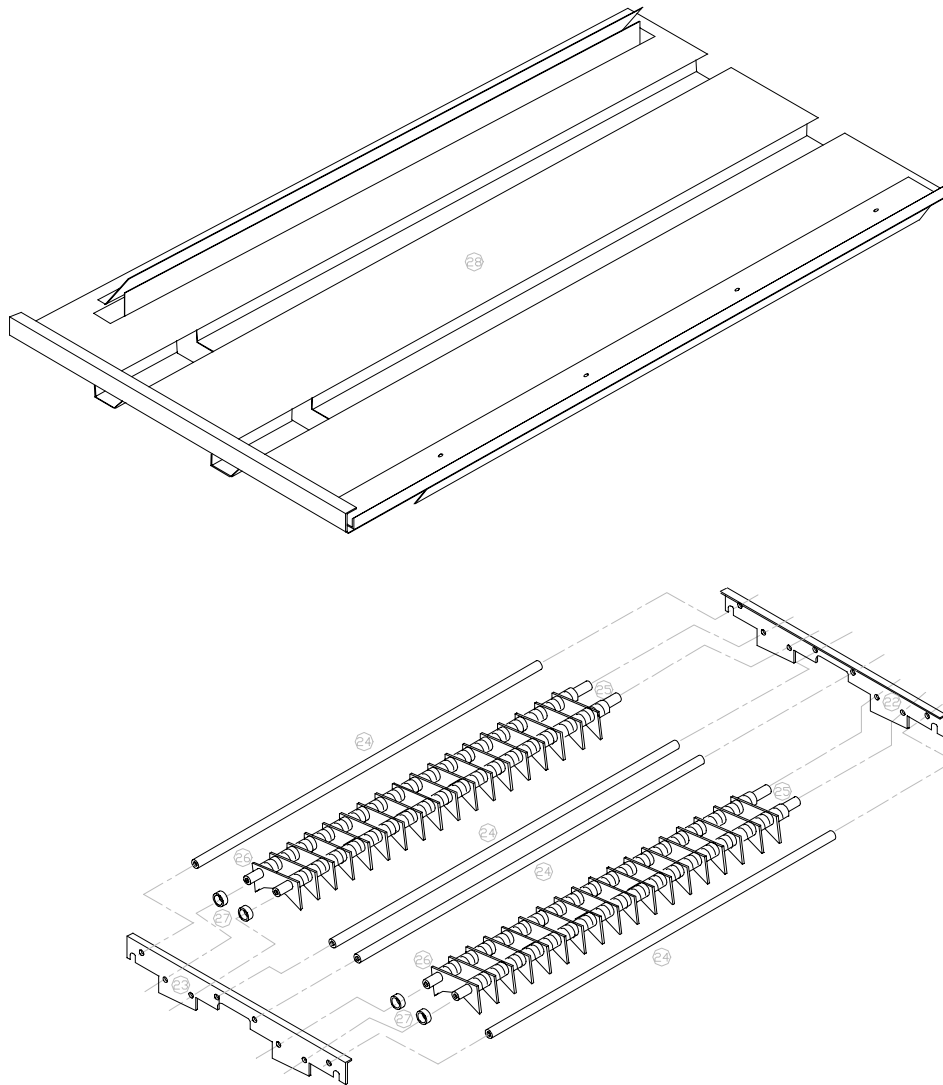


Figure 6-6. Developer Rack / Standard



**Figure 6-7. Crossover Guide**

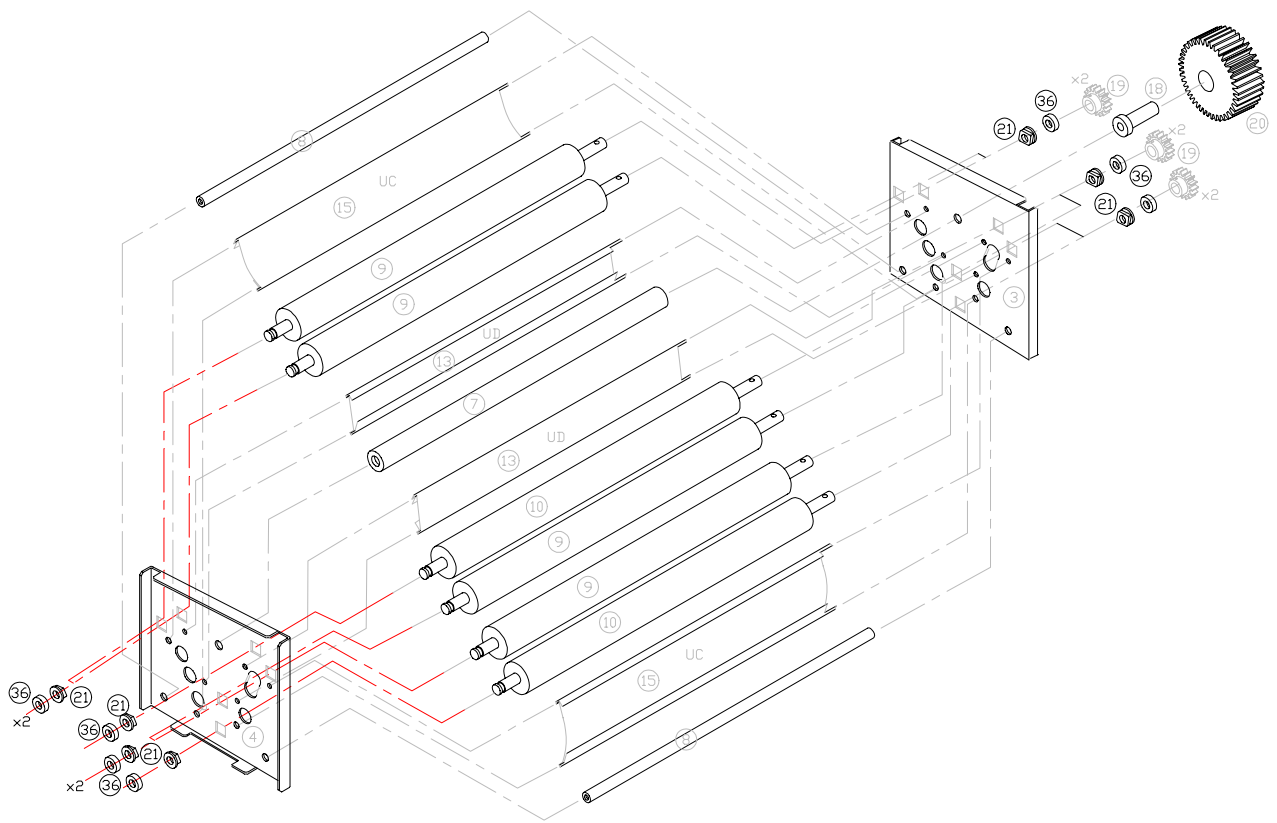


Figure 6-8. Fix Rack

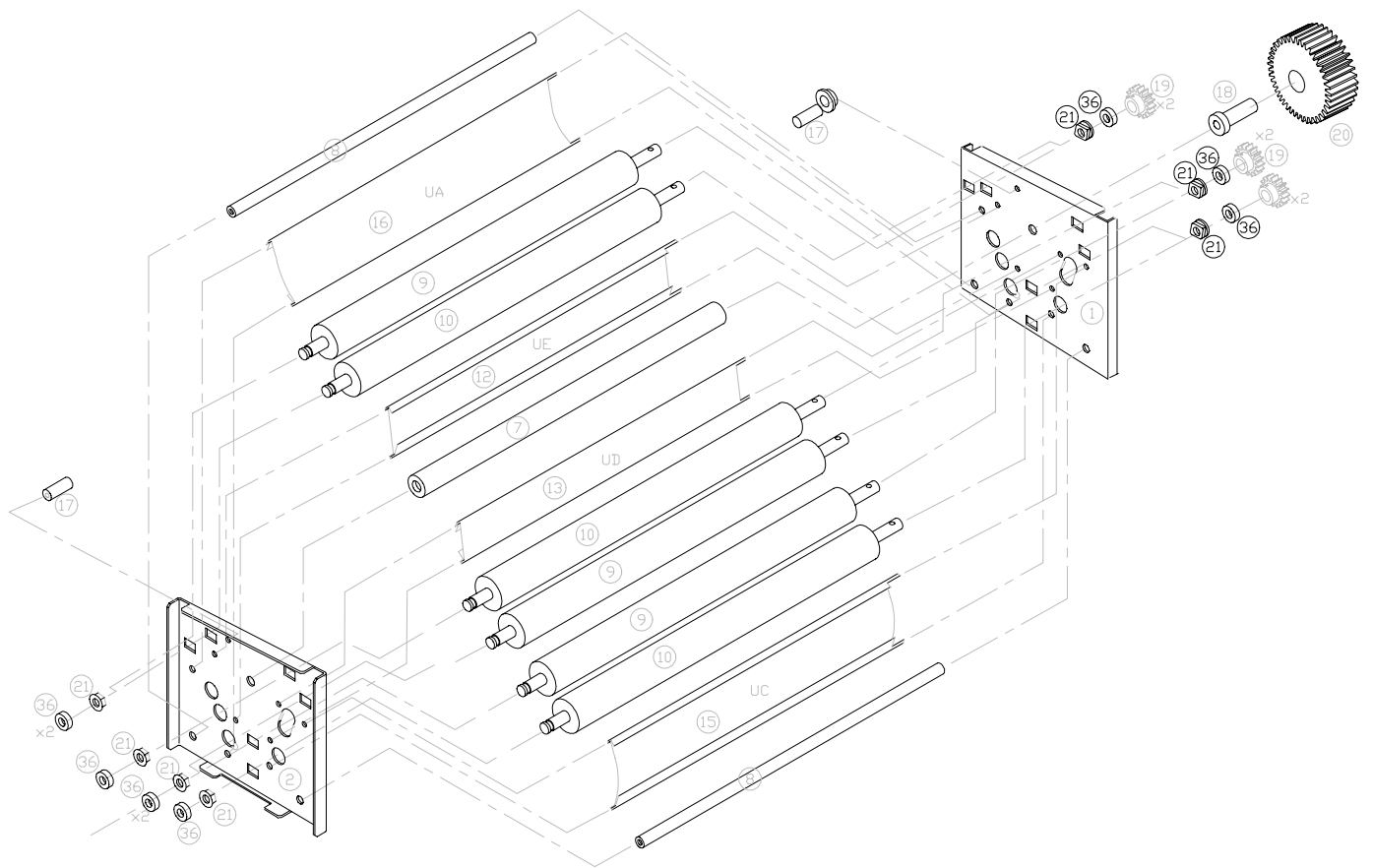


Figure 6-9. Wash Rack

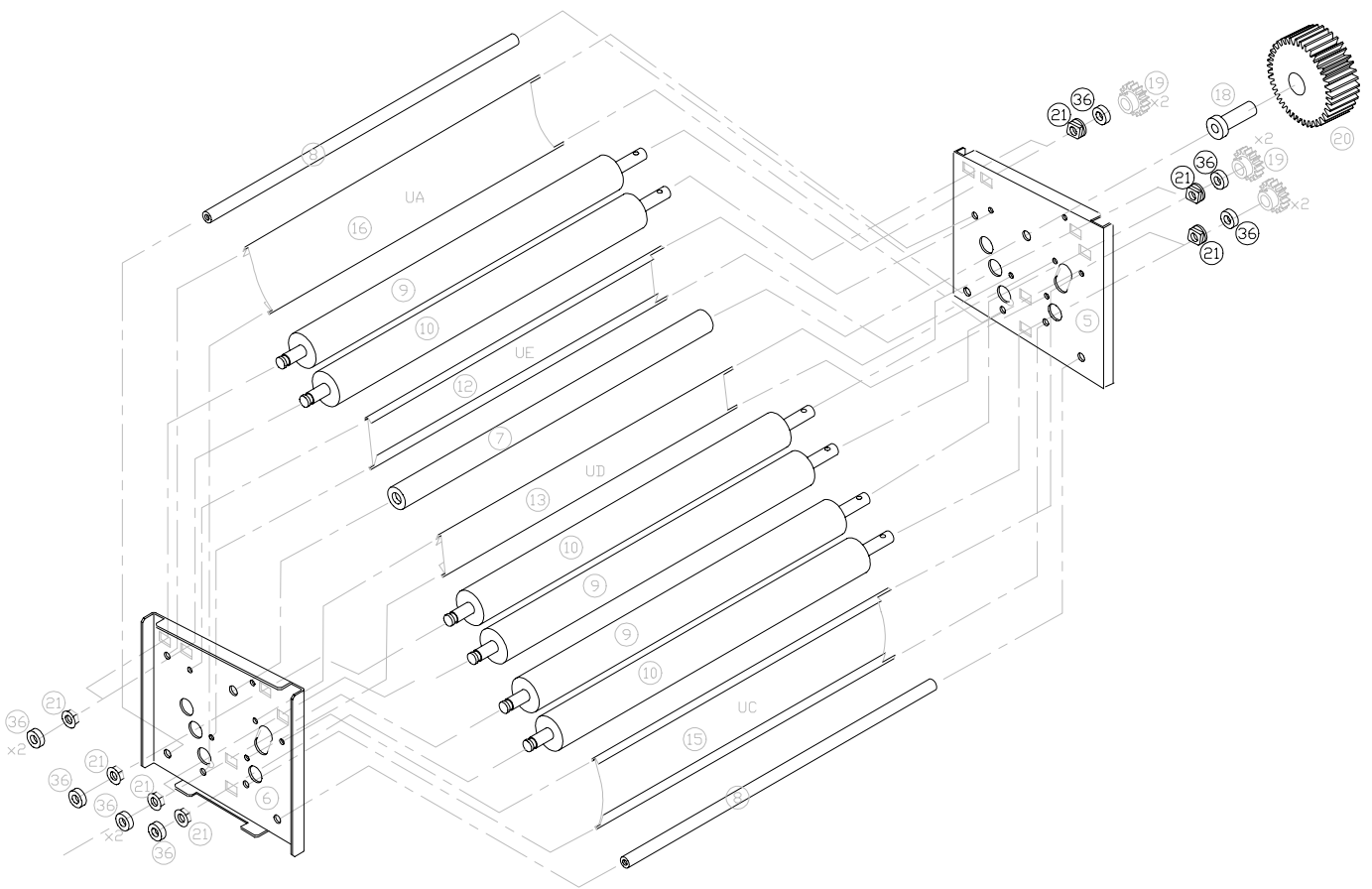


Figure 6-10a. Dryer Rack (Left View)

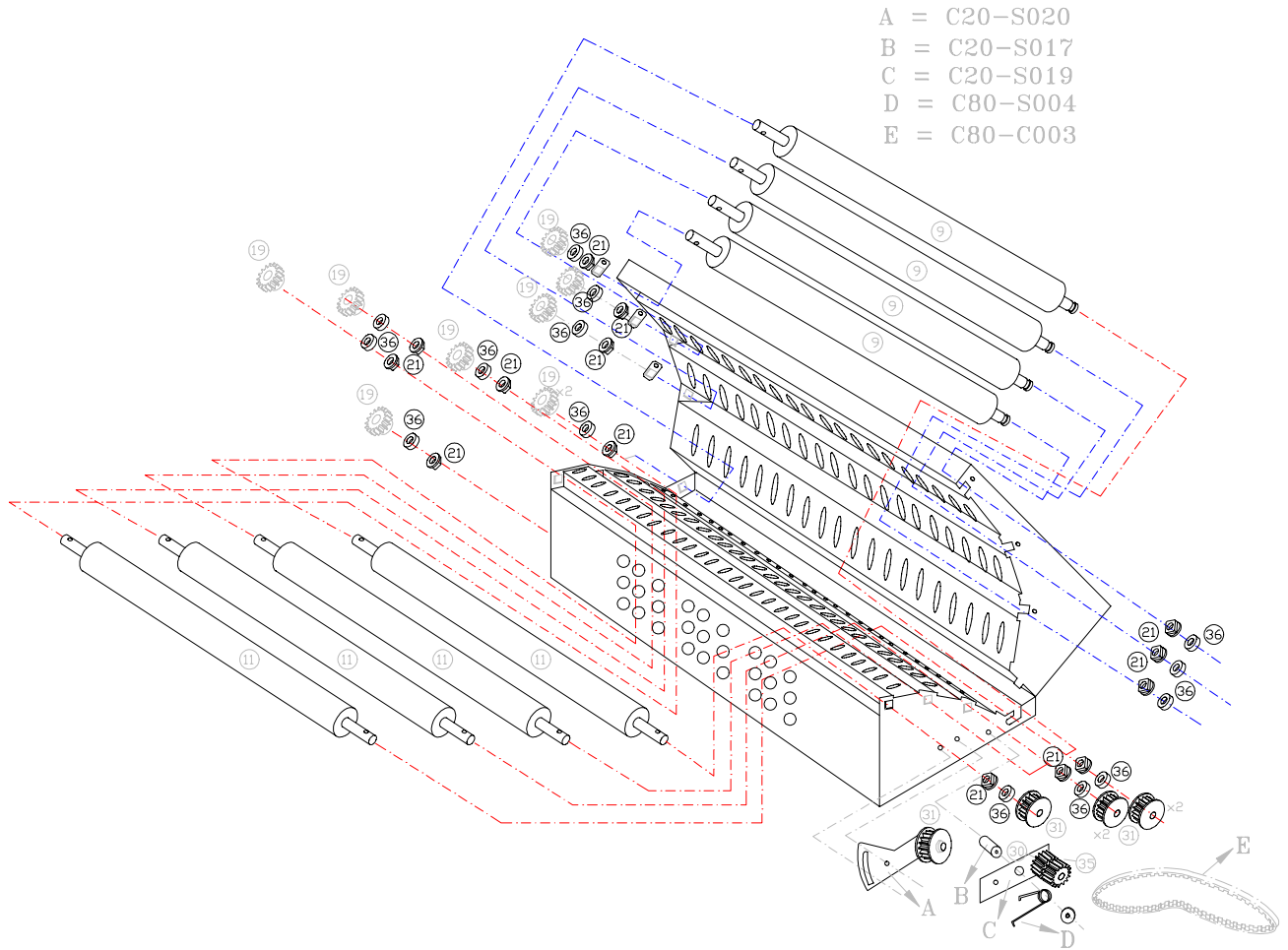
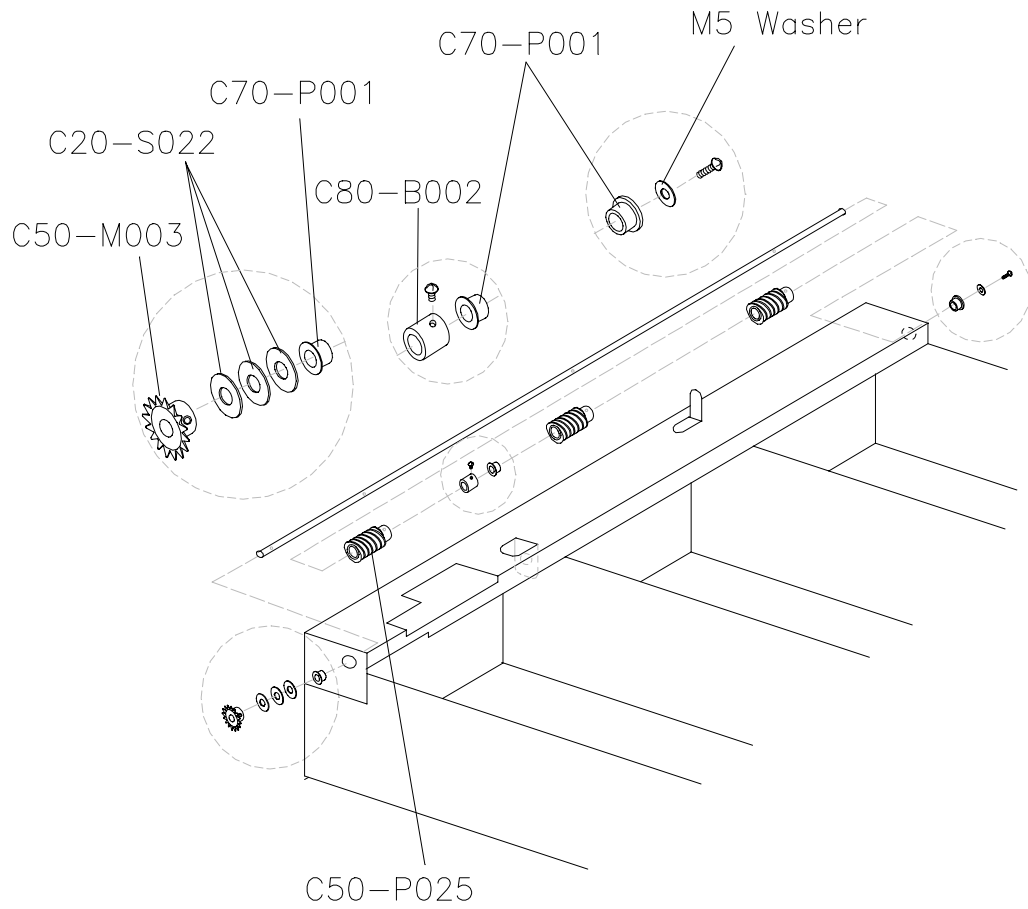


Figure 6-10b. Dryer Rack (Right View)



**Figure 6-11. Drive Shaft**



