

Section 6

Parts

Introduction This section contains information for use when ordering common repair or replacement parts for LogEtronics LP Plate Processor.

Structural parts such as frame members, tanks and outside panels are not shown as they usually do not require replacement during the normal service life of the processor. If you should need such parts, please contact us, and we will assist you in identifying and obtaining the needed parts.

Ordering Information When ordering parts for the processor give the *part number*, *description* and *quantity required*, and the *model* and *serial number* of the processor for which it is intended.

Non-Illustrated Parts The following parts some are not shown in the illustration, but may be ordered using the indicated part numbers.

Part Description	Part Number
Relay	M10-A020
Timer	M10-B002
EGO Temperature Controller	
Speed Controller US - 52	M20-V013
Drive Motor 4IK 25RGN - C	M10-M002
Gear Head 4GN 150K	M20-V012
Brush Motor 4IK 25GN - C	M10-M003
Gear Head 4GN 18K	M20-V010-1

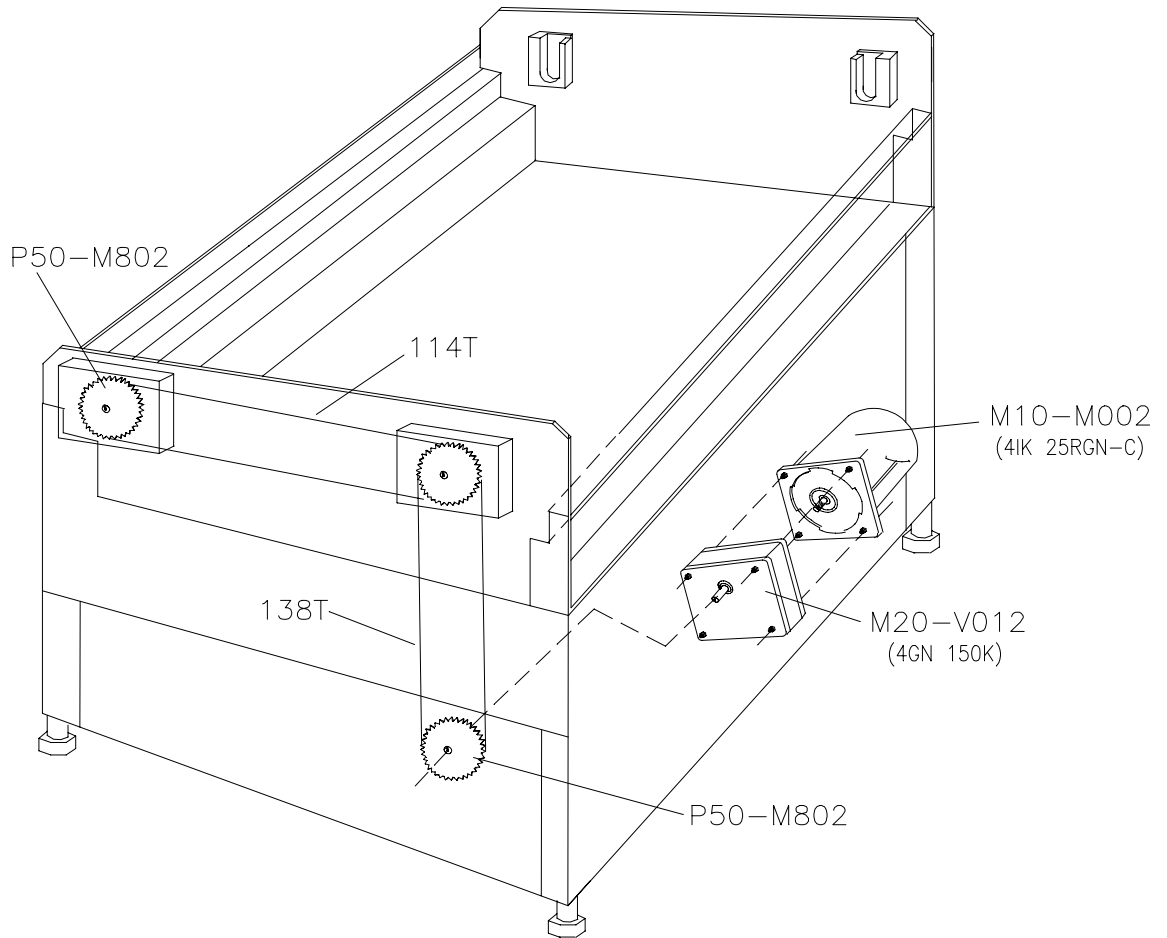


Figure 6-1. Drive Motor Impulse Wheel

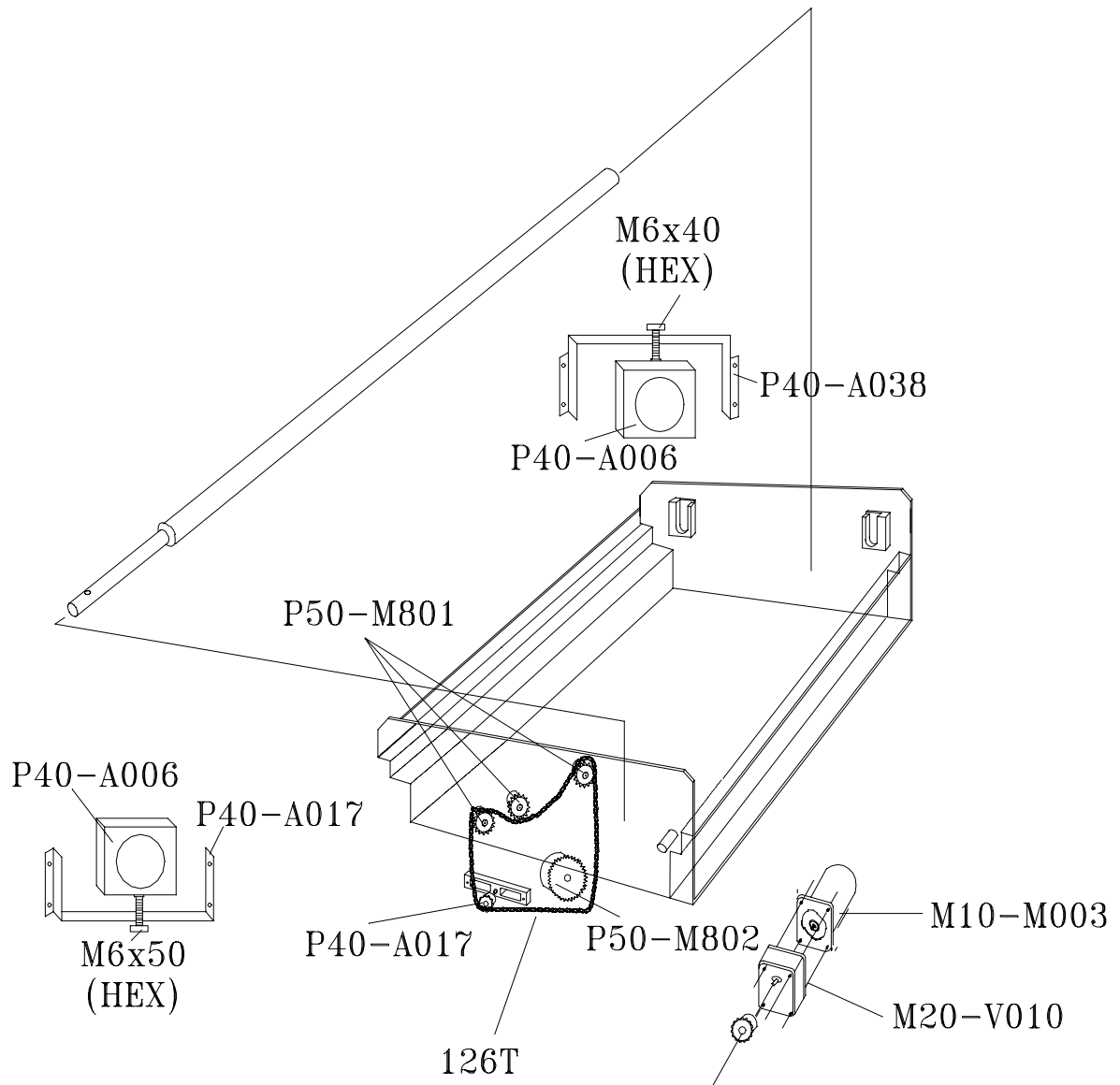
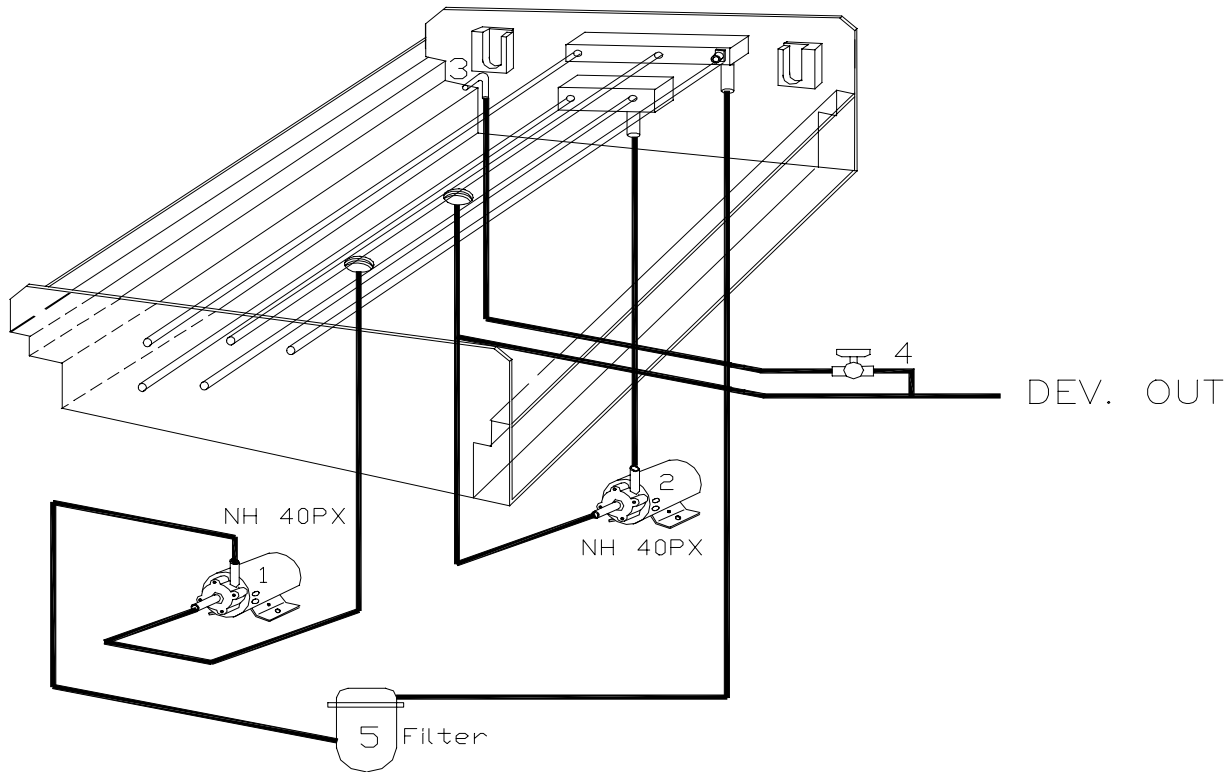


Figure 6-2. Brush Motor



- 1 DEV. CIRCULATION PUMP (UPPER)
- 2 DEV. CIRCULATION PUMP (DOWN)
- 3 RUBBER ELBOW
- 4 DEV. VALVE
- 5 SUS FILTER

Figure 6-3. Circulation & Replenishment

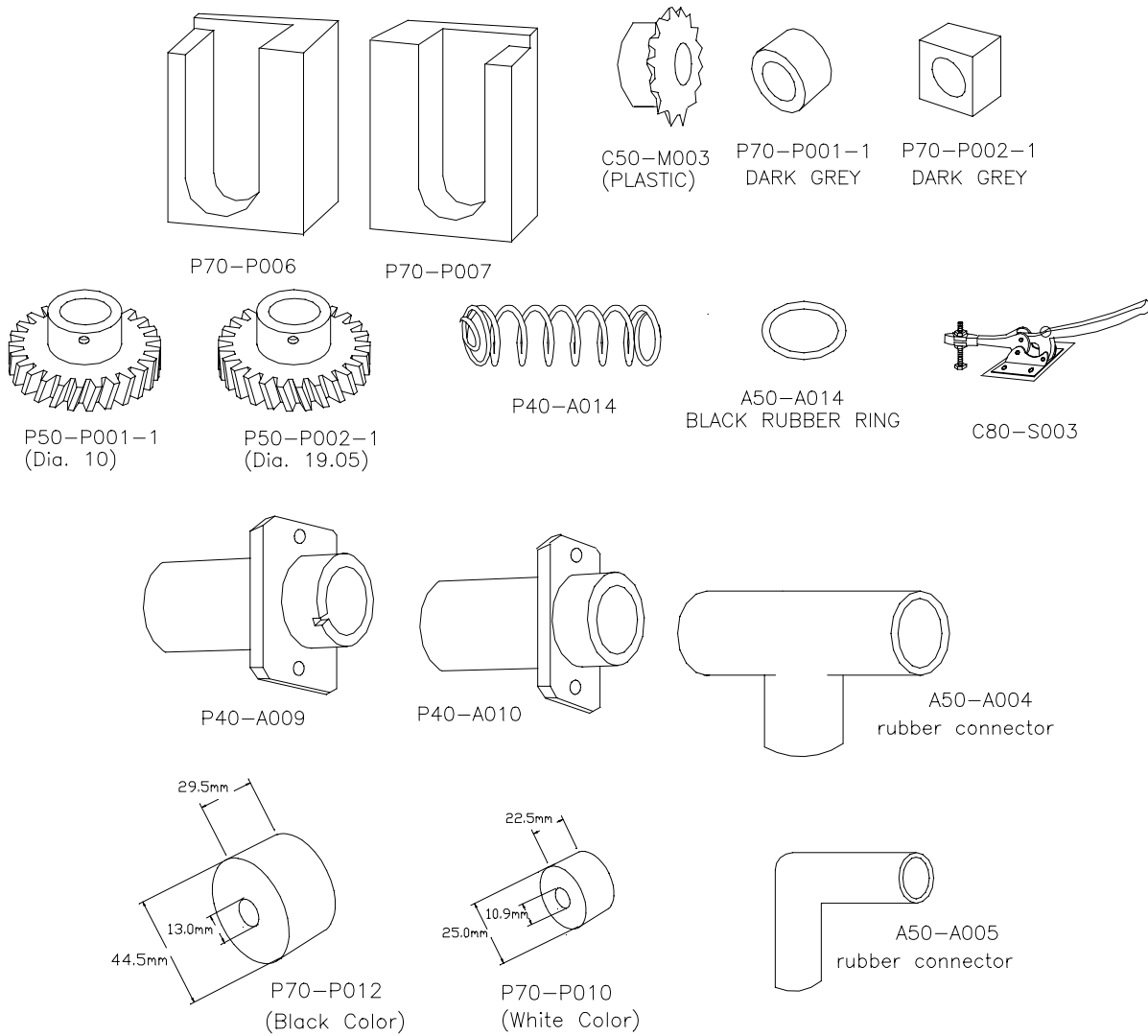


Figure 6-4. Gears & Plastic Parts

DEVELOPER SENSOR
M30-H007
1000W 240V

MICROSWITCH
M10-A015-1

EGO TEMP. CONTROLLER

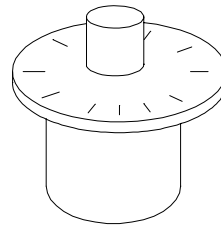
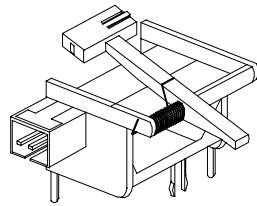


Figure 6-5. Heater & Sensor

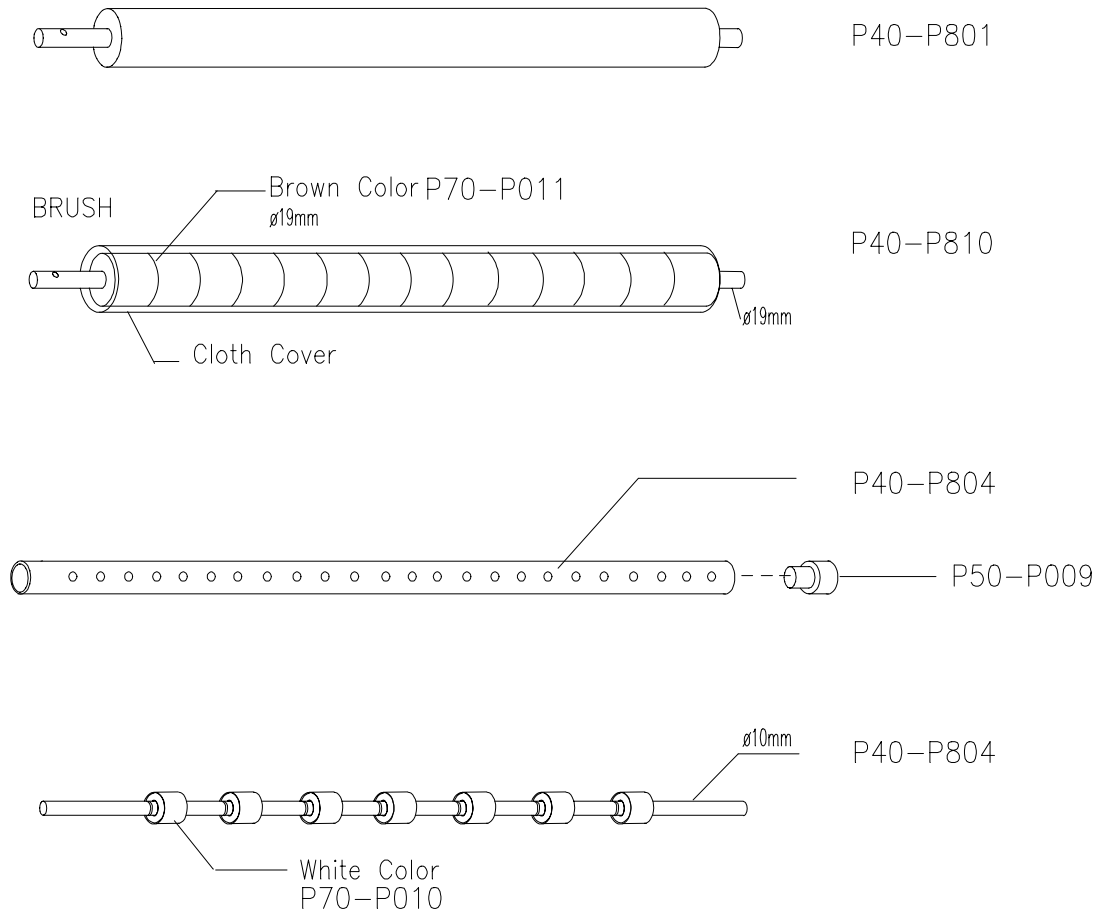


Figure 6-6. Rollers & Others